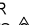
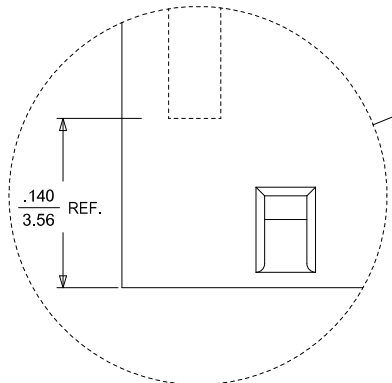
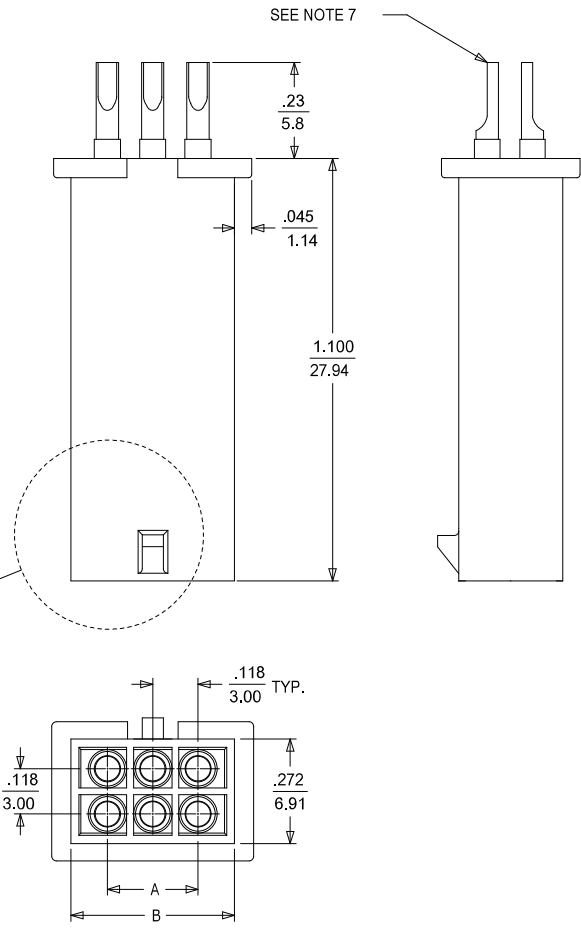
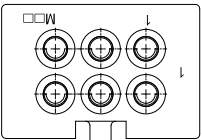


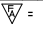
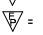

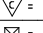
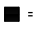
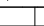
MATERIAL NUMBER	NUMBER OF CKTS 	DIM. "A"	DIM. "B"
44242-0001	4	.118/(3.00)	.308/(7.82)
44242-0002	6	.236/(6.00)	.426/(10.82)
44242-0003	8	.354/(9.00)	.544/(13.82)
44242-0004	10	.472/(12.00)	.662/(16.82)
44242-0005	12	.591/(15.00)	.780/(19.82)
44242-0006	14	.709/(18.00)	.898/(22.82)
44242-0007	16	.827/(21.00)	1.017/(25.82)
44242-0008	18	.945/(24.00)	1.135/(28.82)
44242-0009	20	1.063/(27.00)	1.253/(31.82)
44242-0010	22	1.181/(30.00)	1.371/(34.82)
44242-0011	24	1.299/(33.00)	1.489/(37.82)



PROBE LOCATION WITHIN HOUSING (SCALE: 8X)

NOTES:

- MATERIAL:  
HOUSING: LCP, UL94V-0, COLOR: BLACK.  
POGO-PIN PROBE: HEAT TREATED BERYLLIUM COPPER.  
POGO-PIN RECEPTACLE: WORK-HARDENED NICKEL SILVER.
  - FINISH:  
POGO-PIN PROBE: GOLD PLATED OVER HARD NICKEL.  
POGO-PIN RECEPTACLE: GOLD PLATED OVER HARD NICKEL.
  - PRODUCT SPECIFICATION: PS-43045
  - THIS PRODUCT IS INTENDED TO BE USED AS A TESTER FOR CONTINUITY ONLY.
  - DO NOT MAKE OR BREAK CONTACT UNDER LOAD.
  - MAXIMUM CURRENT CARRYING CAPACITY OF POGO-PIN IS 2.5 AMPERES.
  - SOLDER CUP WILL ACCEPT 22-26 GAUGE WIRE. SOLDER CUP ORIENTATION IS RANDOM.
  - MAXIMUM MATING CYCLES OF TEST PLUG IS 10,000 CYCLES.
-  TEST PLUG CAN BE USED FOR TESTING BOTH SINGLE ROW AND DUAL ROW RECEPTACLES, FOR SINGLE ROW RECEPTACLES, USE A TEST PLUG THAT HAS TWICE THE NUMBER OF CIRCUITS AS THE SINGLE ROW RECEPTACLE BEING TESTED.
- TEXT ON PART IS FOR REFERENCE ONLY, TEXT AND TEXT LOCATION MAY VARY DEPENDING ON PART NUMBER AND/OR TOOL.

SYMBOLS	THIS DRAWING CONTAINS INFORMATION THAT IS PROPRIETARY TO MOLEX ELECTRONIC TECHNOLOGIES, LLC AND SHOULD NOT BE USED WITHOUT WRITTEN PERMISSION		CURRENT REV DESC: ADD NOTE 10	
	DIMENSION UNITS	SCALE		
 = 0	IN/MM	4:1		
 = 0	GENERAL TOLERANCES (UNLESS SPECIFIED)			
 = 0		MM	INCH	
 = 0	4 PLACES	±	±	EC NO: 174324
 = 0	3 PLACES	±	± 0.01	DRWN: ANESSER 2018/03/28
 = 0	2 PLACES	±	± 0.014	CHK'D: SSOUSEK 2018/03/28
= 0	1 PLACE	±	±	APPR: FSMITH 2018/04/02
= 0	0 PLACES	±	±	INITIAL REVISION:
= 0	ANGULAR TOL	±	± 0.5°	DRWN: SOMMER 1998/09/08
= 0	DRAFT WHERE APPLICABLE MUST REMAIN WITHIN DIMENSIONS		THIRD ANGLE PROJECTION	APPR: EDGLEY 1998/09/10
= 0			DRAWING	SERIES
		C-SIZE		44242
DOCUMENT STATUS		P1	RELEASE DATE	2018/04/02 22:31:21
		DOCUMENT NUMBER		SD-44242-001
		CUSTOMER		GENERAL MARKET
		DOC TYPE	DOC PART	REVISION
		PSD	001	H1
		SHEET NUMBER		1 OF 1