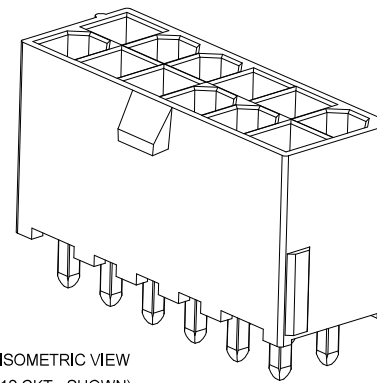
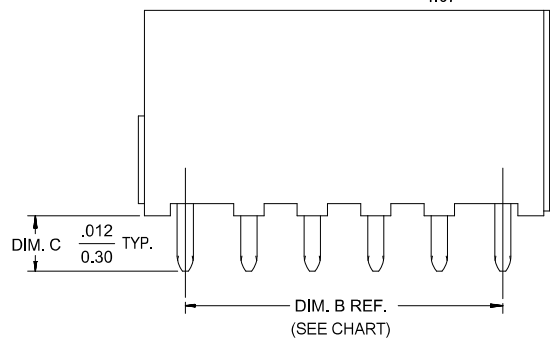
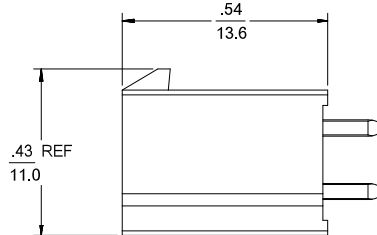
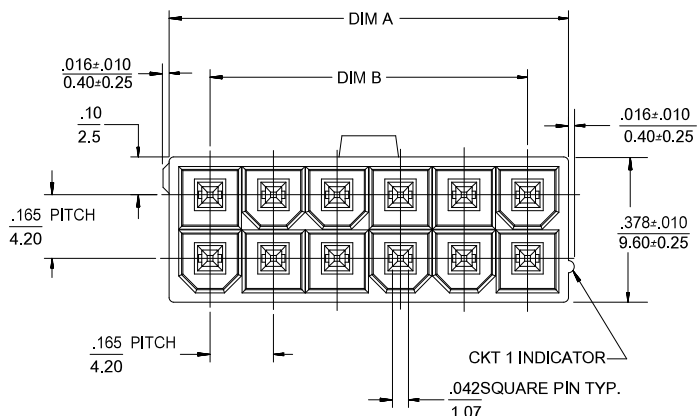


2 CKT SHOWN



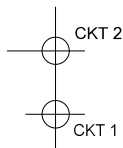
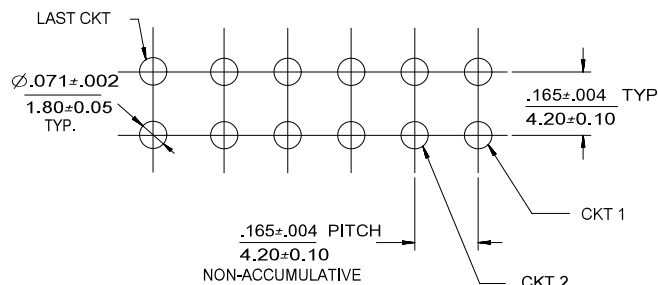
ISOMETRIC VIEW
(12 CKT - SHOWN)

CKT SIZE	DIM. A	DIM. B
02	0.21/5.4	NA
04	0.38/9.6	0.165/4.20
06	0.54/13.8	0.331/8.40
08	0.71/18.0	0.496/12.60
10	0.87/22.2	0.661/16.80
12	1.04/26.4	0.827/21.00
14	1.21/30.6	0.992/25.20
16	1.37/34.8	1.160/29.40
18	1.54/39.0	1.323/33.60
20	1.70/43.2	1.488/37.80
22	1.87/47.4	1.654/42.00
24	2.03/51.6	1.819/46.20



NOTES:

- MATERIALS:
HOUSING - GLASS FILLED LCP UL94V-0, COLOR: SEE CHART
TERMINAL - BRASS
- TERMINAL PLATING:
TIN= .000100/0.00254 MIN. MATTE TIN OVER
.000050/0.00127 MIN. NICKEL
GOLD=.000030/0.00076 MIN. SELECT GOLD OVER
.000100/0.00254 MIN. SELECT MATTE TIN
OVER .000050/0.00127 MIN. NICKEL OVERALL.
- PRODUCT SPECIFICATION: PS-5556-001 OR PS-45750-001
PACKAGING SPECIFICATION: TRAY PACK PER: PK-46207-001 UNLESS NOTED.
TAPE AND REEL PACK PER: PK-46207-002
- PART MATES WITH MINIFIT JR RECEPTACLE SERIES 5557
- DISCOLORIZATION IN THE BANDOLIER CARRIER AREA OF THE PIN IS INHERENT TO THE PLATING PROCESS AND IS DUE TO THE MASKING EFFECT OF THE CARRIER. THIS DISCOLORIZATION IS A NON-FUNCTIONAL AREA OF THE PIN AND WILL NOT AFFECT THE PERFORMANCE OF THE HEADER ASSEMBLY.
- CONNECTORS ARE NOT TO BE MATED OR UNMATED WHILE CIRCUITS ARE LIVE.
- PARTS ARE NOT DESIGNED FOR CURRENT SHARING.
- THIS PART CONFORMS TO CLASS B REQUIREMENTS OF COSMETIC SPECIFICATION PS-45499-002.
- TEXT ON PART IS FOR REFERENCE ONLY. TEXT AND TEXT LOCATION MAY VARY DEPENDING ON PART NUMBER AND/OR TOOL.



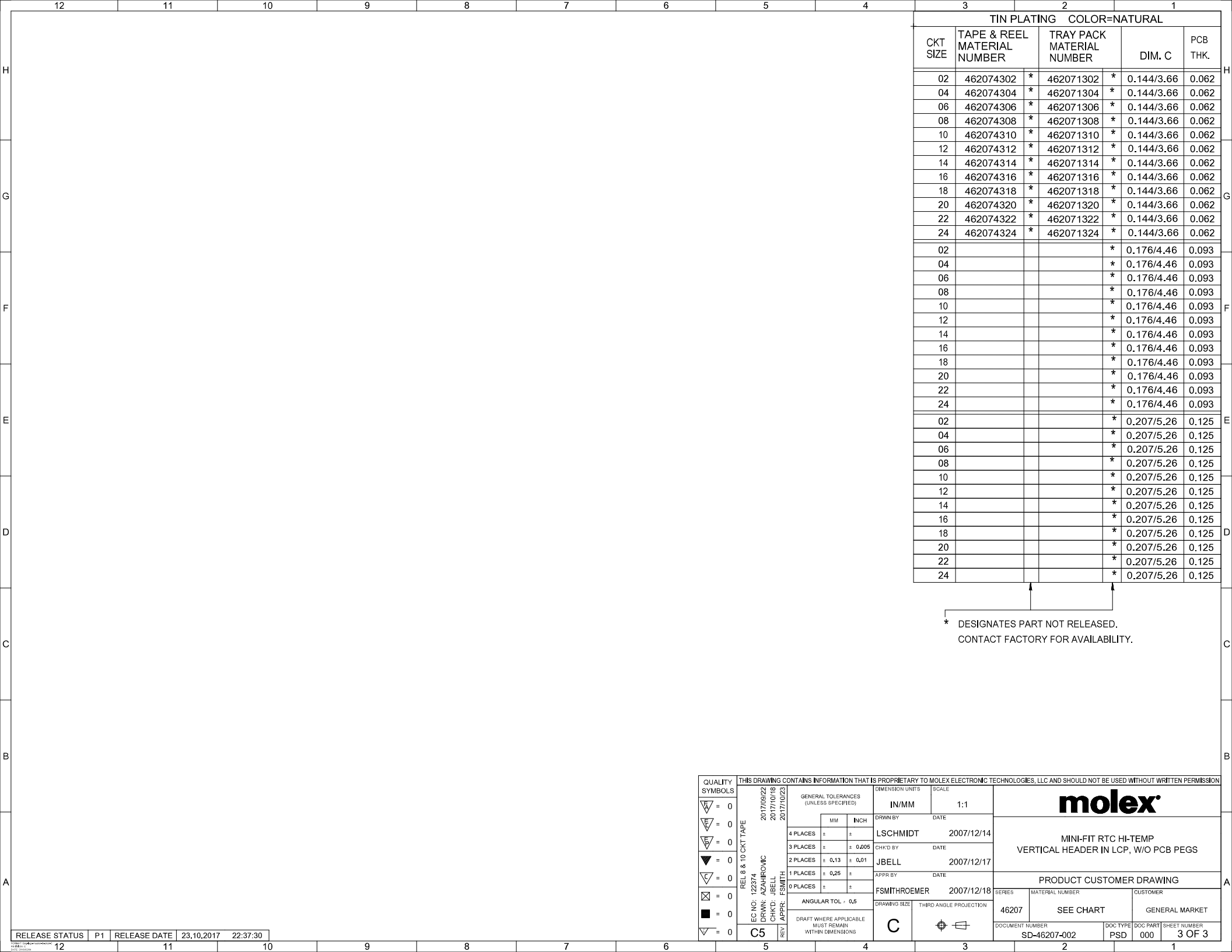
LAYOUT FOR
2 CIRCUIT

LAYOUT FOR
4-24 CIRCUITS

RECOMMENDED PCB HOLE LAYOUT COMPONENT SIDE

QUALITY SYMBOLS	THIS DRAWING CONTAINS INFORMATION THAT IS PROPRIETARY TO MOLEX ELECTRONIC TECHNOLOGIES, LLC AND SHOULD NOT BE USED WITHOUT WRITTEN PERMISSION		DIMENSION UNITS		SCALE			
	IN/MM	INCH	4:1					
▽ = 0	REL 8 & 10 CKT TAPE	2017/09/22	DRWN BY	DATE	LSCHEMIDT		2007/12/14	
▽ = 0	EC NO: 122374	2017/10/18	CHKD BY	DATE	JBELL		2007/12/17	
▽ = 0	DRWN: AZAHROVIC	2017/10/23	APPR BY	DATE	FSMITHROEMER		2007/12/18	
▽ = 0	CHKD: JBELL		DRAWING SIZE	THIRD ANGLE PROJECTION	46207	SEE CHART	GENERAL MARKET	
▽ = 0	REV APPR: FSMITH		ANGULAR TOL. ± 0.5		DOCUMENT NUMBER	DOC TYPE	DOC PART	SHEET NUMBER
▽ = 0			DRAFT WHERE APPLICABLE MUST REMAIN WITHIN DIMENSIONS		C5	PSD	000	1 OF 3

GOLD PLATING		COLOR=BLACK			
CKT SIZE	TAPE & REEL MATERIAL NUMBER	TRAY PACK MATERIAL NUMBER	DIM. C	PCB THK.	
02	462078002	462076002	0.144/3.66	0.062	
04	462078004 *	462076004	0.144/3.66	0.062	
06	462078006	462076006	0.144/3.66	0.062	
08	462078008	462076008	0.144/3.66	0.062	
10	462078010	462076010	0.144/3.66	0.062	
12	462078012 *	462076012	0.144/3.66	0.062	
14	462078014 *	462076014 *	0.144/3.66	0.062	
16	462078016 *	462076016 *	0.144/3.66	0.062	
18	462078018 *	462076018 *	0.144/3.66	0.062	
20	462078020 *	462076020 *	0.144/3.66	0.062	
22	462078022 *	462076022 *	0.144/3.66	0.062	
24	462078024 *	462076024	0.144/3.66	0.062	
02					
04					
06					
08					
10					
12					
14					
16					
18					
20					
22					
24					
02					
04					
06					
08					
10					
12					
14					
16					
18					
20					
22					
24					
02					
04					
06					
08					
10					
12					
14					
16					
18					
20					
22					
24					
02					
04					
06					
08					
10					
12					
14					
16					
18					
20					
22					
24					
02					
04					
06					
08					
10					
12					
14					
16					
18					
20					
22					
24					
02					
04					
06					
08					
10					
12					
14					
16					
18					
20					
22					
24					
02					
04					
06					
08					
10					
12					
14					
16					
18					
20					
22					
24					
02					
04					
06					
08					
10					
12					
14					
16					
18					
20					
22					
24					
02					
04					
06					
08					
10					
12					
14					
16					
18					
20					
22					
24					
02					
04					
06					
08					
10					
12					
14					
16					
18					
20					
22					
24					
02					
04					
06					
08					
10					
12					
14					
16					
18					
20					
22					
24					
02					
04					
06					
08					
10					
12					
14					
16					
18					
20					
22					
24					
02					
04					
06					
08					
10					
12					
14					
16					
18					
20					
22					
24					
02					
04					
06					
08					
10					
12					
14					
16					
18					
20					
22					
24					
02					
04					
06					
08					
10					
12					
14					
16					
18					
20					
22					
24					
02					
04					
06					
08					
10					
12					
14					
16					
18					
20					
22					
24					
02					
04					
06					
08					
10					
12					
14					
16					
18					
20					
22					
24					
02					
04					
06					
08					
10					
12					
14					
16					
18					
20					
22					
24					
02					
04					
06					
08					
10					
12					
14					
16					
18					
20					
22					
24					
02					
04					
06					
08					
10					
12					
14					
16					
18					
20					
22					
24					
02					
04					
06					
08					
10					
12					
14					
16					
18					
20					
22					
24					
02					
04					
06					
08					
10					
12					
14					
16					
18					
20					
22					
24					
02					
04					
06					
08					
10					
12					
14					
16					
18					
20					
22					
24					
02					
04					
06					
08					
10					
12					
14					
16					
18					
20					
22					
24					
02					
04					
06					
08					
10					
12					
14					
16					
18					
20					
22					
24					
02					
04					
06					
08					
10					
12					
14					
16					
18					
20					
22					
24					
02					
04					
06					
08					
10					
12					
14					
16					
18					
20					
22					
24					
02					
04					
06					
08					
10					
12					
14					
16					
18					
20					
22					
24					
02					
04					
06					
08					
10					
12					
14					
16					
18					
20					
22					
24					
02					
04					
06					
08					
10					
12					
14					
16					
18					



TIN PLATING		COLOR=NATURAL		DIM. C	PCB THK.
CKT SIZE	TAPE & REEL MATERIAL NUMBER	TRAY PACK MATERIAL NUMBER			
02	462074302	* 462071302	*	0.144/3.66	0.062
04	462074304	* 462071304	*	0.144/3.66	0.062
06	462074306	* 462071306	*	0.144/3.66	0.062
08	462074308	* 462071308	*	0.144/3.66	0.062
10	462074310	* 462071310	*	0.144/3.66	0.062
12	462074312	* 462071312	*	0.144/3.66	0.062
14	462074314	* 462071314	*	0.144/3.66	0.062
16	462074316	* 462071316	*	0.144/3.66	0.062
18	462074318	* 462071318	*	0.144/3.66	0.062
20	462074320	* 462071320	*	0.144/3.66	0.062
22	462074322	* 462071322	*	0.144/3.66	0.062
24	462074324	* 462071324	*	0.144/3.66	0.062
02			*	0.176/4.46	0.093
04			*	0.176/4.46	0.093
06			*	0.176/4.46	0.093
08			*	0.176/4.46	0.093
10			*	0.176/4.46	0.093
12			*	0.176/4.46	0.093
14			*	0.176/4.46	0.093
16			*	0.176/4.46	0.093
18			*	0.176/4.46	0.093
20			*	0.176/4.46	0.093
22			*	0.176/4.46	0.093
24			*	0.176/4.46	0.093
02			*	0.207/5.26	0.125
04			*	0.207/5.26	0.125
06			*	0.207/5.26	0.125
08			*	0.207/5.26	0.125
10			*	0.207/5.26	0.125
12			*	0.207/5.26	0.125
14			*	0.207/5.26	0.125
16			*	0.207/5.26	0.125
18			*	0.207/5.26	0.125
20			*	0.207/5.26	0.125
22			*	0.207/5.26	0.125
24			*	0.207/5.26	0.125

* DESIGNATES PART NOT RELEASED.
CONTACT FACTORY FOR AVAILABILITY.

QUALITY SYMBOLS 	THIS DRAWING CONTAINS INFORMATION THAT IS PROPRIETARY TO MOLEX ELECTRONIC TECHNOLOGIES, LLC AND SHOULD NOT BE USED WITHOUT WRITTEN PERMISSION			
	GENERAL TOLERANCES (UNLESS SPECIFIED)		DIMENSION UNITS IN/MM	SCALE 1:1
	4 PLACES ± ± 3 PLACES ± ± ± 0.005 2 PLACES ± 0.13 ± 0.01 1 PLACES ± 0.25 ± 0 PLACES ± ±		DRWN BY LSCHMIDT	DATE 2007/12/14
	ANGULAR TOL = 0.5 DRAFT WHERE APPLICABLE MUST REMAIN WITHIN DIMENSIONS		CHKD BY JBELL	DATE 2007/12/17
REL 8 & 10 CKT TAPE EC NO: 122374 DRWN: AZAHROVIC CHKD: JBELL APPR: FSMITH		APPR BY FSMITHROEMER	DATE 2007/12/18	PRODUCT CUSTOMER DRAWING
C5		DRAWING SIZE C	THIRD ANGLE PROJECTION 	SERIES: 46207 MATERIAL NUMBER: SEE CHART CUSTOMER: GENERAL MARKET
RELEASE STATUS P1 RELEASE DATE 23.10.2017 22:37:30		DOCUMENT NUMBER SD-46207-002 DOC TYPE PSD DOC PART 000 SHEET NUMBER 3 OF 3		