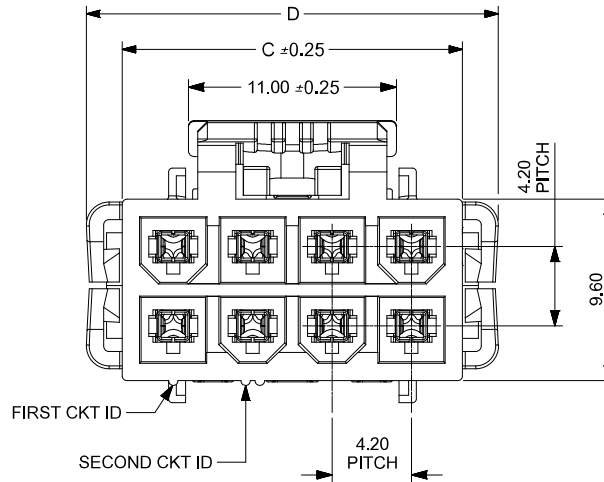
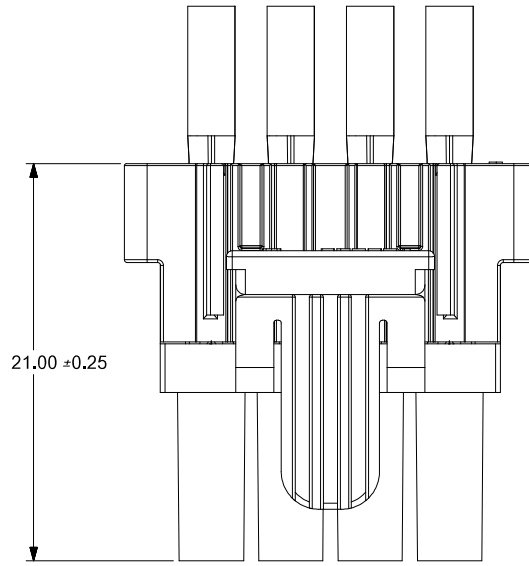
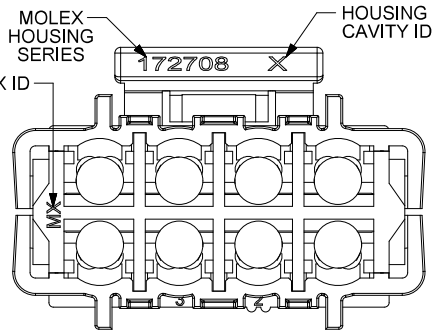
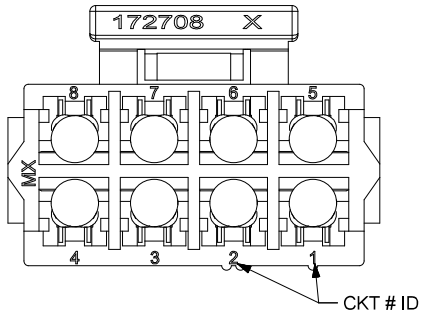


**BEFORE TPA ASSEMBLY**



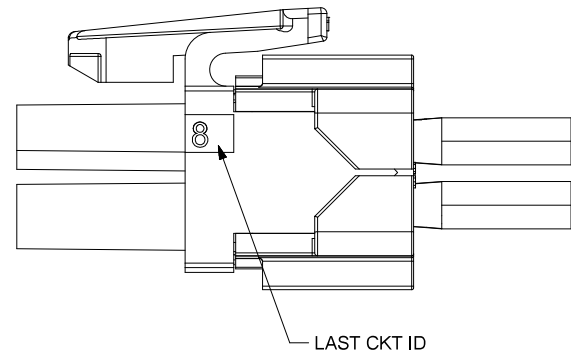
TPA 172709  
(QTY 2)  
SEE NOTE 8

TOP ROW  
TABS UP

CRIMP TERMINAL  
172718/202988

RECEPTACLE HOUSING  
172708

BOTTOM ROW  
TABS DOWN



**NOTES:**

1. MATERIAL:  
'A' = NYLON V-0 LOW HALOGEN; COLOR: BLACK  
'B' = NYLON V-2 GLOW WIRE CAPABLE; COLOR: BLACK  
'C' = NYLON V-2; COLOR: BLACK
2. FINISH: NONE
3. PRODUCT SPECIFICATION: PS-172718-0000 and 2029880001-PS  
APPLICATION SPECIFICATION: AS-172718-0000
4. PACKAGING SPECIFICATION: BULK  
PK-172708-0000
5. THIS PART TO BE USED WITH FEMALE TERMINAL SERIES 172718, 202988 AND TPA SERIES 172709.
6. THIS PART MATES WITH SERIES 5559, 5566, 5569, 172762 AND 172767.
7. THIS PART CONFORMS TO CLASS 'B' REQUIREMENTS OF COSMETIC SPECIFICATION PS-45499-002.
8. THIS PRODUCT MUST BE USED WITH THE TPA INSTALLED.
9. SEE DRAWING SD-172709-0000 AND 1727090001-SD FOR OTHER TPA INFORMATION.
10. SEE DRAWINGS SD-172718-0000 AND 2029880001-PSD FOR OTHER CRIMP TERMINAL INFORMATION.

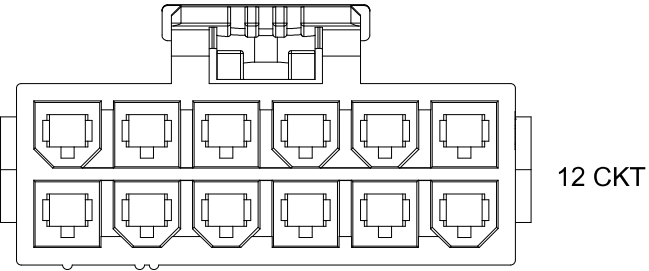
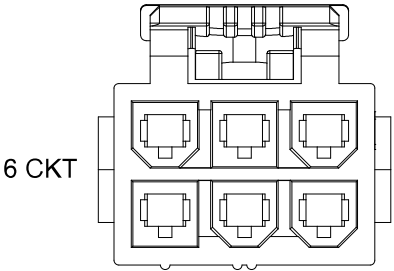
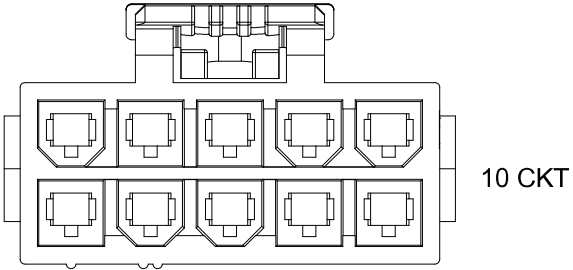
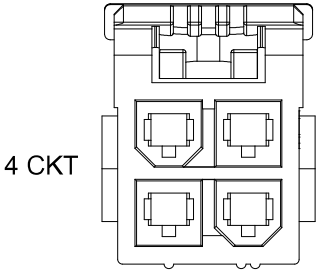
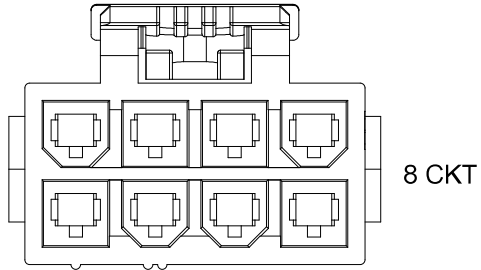
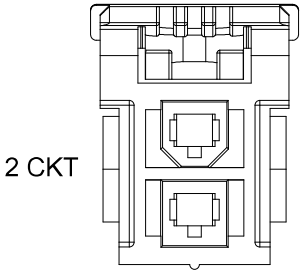
THIS DRAWING CONTAINS INFORMATION THAT IS PROPRIETARY TO MOLEX ELECTRONIC TECHNOLOGIES, LLC AND SHOULD NOT BE USED WITHOUT WRITTEN PERMISSION

DIMENSION UNITS		SCALE	CURRENT REV DESC: TOL UPDT PER EGD		<b>molex</b>		
mm		5:1					
GENERAL TOLERANCES (UNLESS SPECIFIED)					HOUSING, DUAL ROW RECEPTACLE MINI-FIT TPA2		
ANGULAR TOL	±						
4 PLACES	±				PRODUCT CUSTOMER DRAWING		
3 PLACES	±						
2 PLACES	±	0.13	INITIAL REVISION:		DOCUMENT NUMBER		
1 PLACE	±	0.2	DRWN: RFC_PLMMW 2015/08/13				
0 PLACES	±		APPR: JALEXANDER 2015/08/13		DOC TYPE		
DRAFT WHERE APPLICABLE MUST REMAIN WITHIN DIMENSIONS							
THIRD ANGLE PROJECTION					DOC PART		
DRAWING					REVISION		
C-SIZE					H6		
SERIES					MATERIAL NUMBER		
172708					CUSTOMER		
SEE TABLE					GENERAL MARKET		
SHEET NUMBER					1 OF 4		

PART NUMBER	CKTS	DIM C	DIM D	MATERIAL
172708-0002	2	8.00	11.80	A
172708-0102				B
172708-0202				C
172708-0004	4	9.60	13.40	A
172708-0104				B
172708-0204				C
172708-0006	6	13.80	17.60	A
172708-0106				B
172708-0206				C
172708-0008	8	18.00	21.80	A
172708-0108				B
172708-0208				C
172708-0010	10	22.20	26.00	A
172708-0110				B
172708-0210				C
172708-0012	12	26.40	30.20	A
172708-0112				B
172708-0212				C

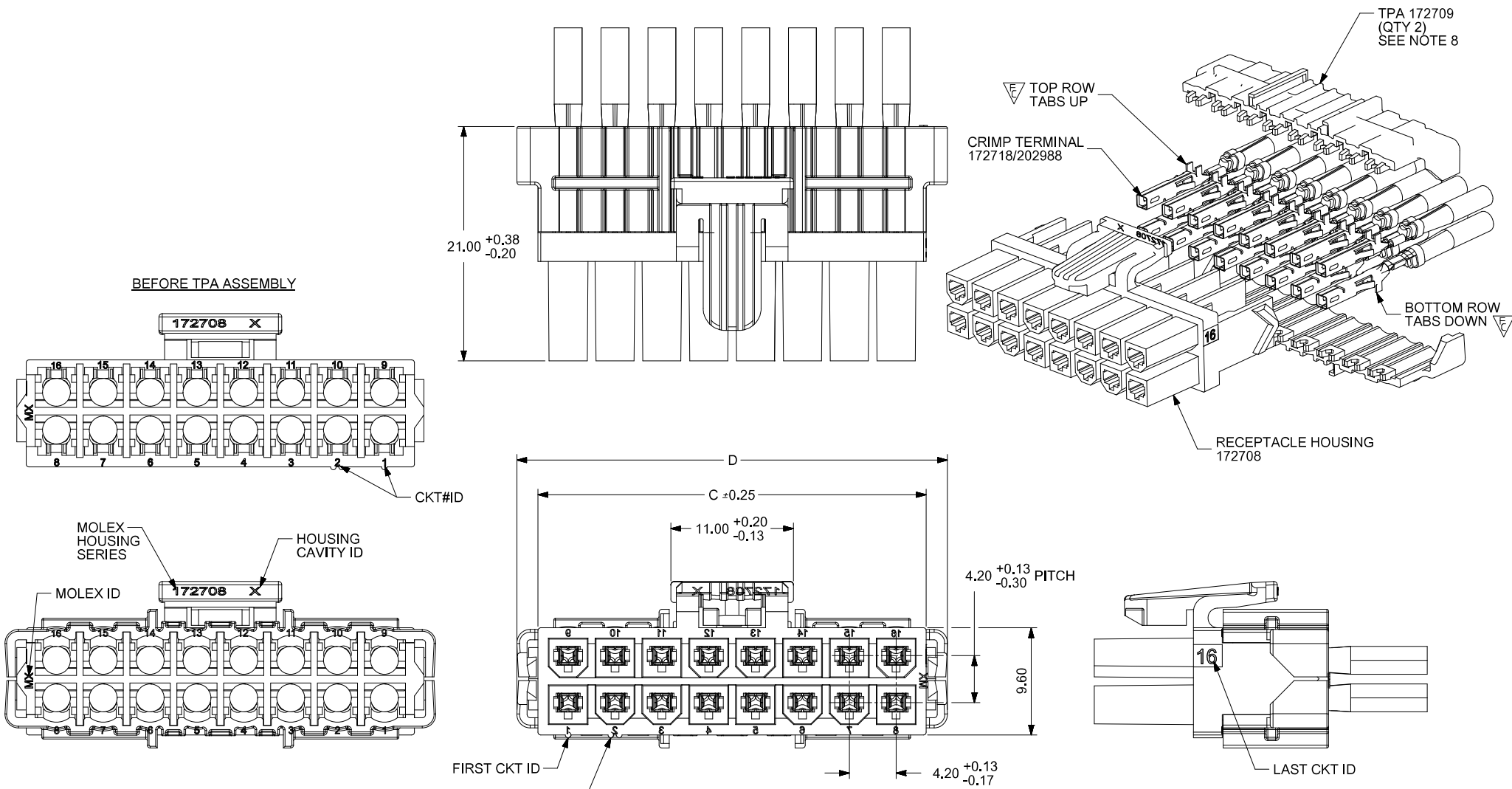
# POLARIZATION DETAIL

SHOWN WITHOUT TPA OR TERMINAL FOR CLARITY



THIS DRAWING CONTAINS INFORMATION THAT IS PROPRIETARY TO MOLEX ELECTRONIC TECHNOLOGIES, LLC AND SHOULD NOT BE USED WITHOUT WRITTEN PERMISSION

DIMENSION UNITS		SCALE		CURRENT REV DESC: TOL UPDT PER EGD		<b>molex</b>							
mm		5:1											
GENERAL TOLERANCES (UNLESS SPECIFIED)						HOUSING, DUAL ROW RECEPTACLE MINI-FIT TPA2							
ANGULAR TOL ± .°													
4 PLACES ±		EC NO: 628539		DRWN: GJEEVANSURES 2019/11/27		PRODUCT CUSTOMER DRAWING							
3 PLACES ±		CHK'D: GJEEVANSURES 2020/03/26		APPR: NCSR 2020/03/27									
2 PLACES ± 0.13		INITIAL REVISION:		DRWN: RFC_PLMMW 2015/08/13		DOCUMENT NUMBER		DOC TYPE		DOC PART		REVISION	
1 PLACE ± 0.2		APPR: JALEXANDER 2015/08/13		SERIES		MATERIAL NUMBER		CUSTOMER		SHEET NUMBER			
0 PLACES ±				C-SIZE		SEE TABLE		GENERAL MARKET		2 OF 4			
DRAFT WHERE APPLICABLE MUST REMAIN WITHIN DIMENSIONS						THIRD ANGLE PROJECTION		DRAWING		SERIES			



**NOTES:**

1. MATERIAL:  
'A' = NYLON V-0 LOW HALOGEN; COLOR: BLACK  
'B' = NYLON V-2 GLOW WIRE CAPABLE; COLOR: BLACK
2. FINISH: NONE
3. PRODUCT SPECIFICATION: PS-172718-0000 and 2029880001-PS  
APPLICATION SPECIFICATION: AS-172718-0000
4. PACKAGING SPECIFICATION: BULK  
1727080001-PK  
REFER TO AS-45499-001 FOR MOISTURIZING NYLON CONNECTOR PARTS.
5. THIS PART TO BE USED WITH FEMALE TERMINAL SERIES 172718, 202988 AND TPA SERIES 172709.
6. THIS PART MATES WITH SERIES 5559, 5566, 5569 AND 172767.
7. THIS PART CONFORMS TO CLASS 'B' REQUIREMENTS OF COSMETIC SPECIFICATION PS-45499-002.
8. THIS PRODUCT MUST BE USED WITH THE TPA INSTALLED.
9. SEE DRAWING 1727090001-SD FOR OTHER TPA INFORMATION.
10. SEE DRAWINGS SD-172718-0000 and 2029880001-PSD FOR OTHER CRIMP TERMINAL INFORMATION.

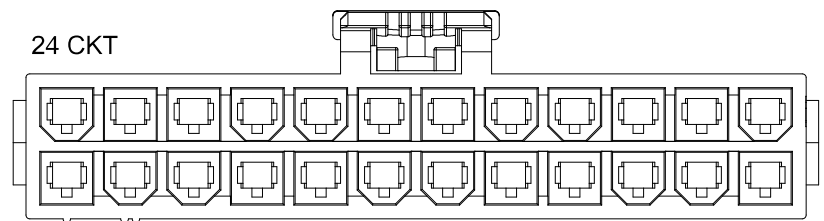
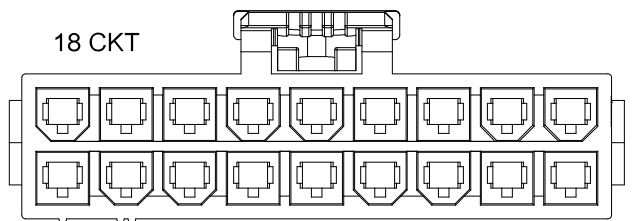
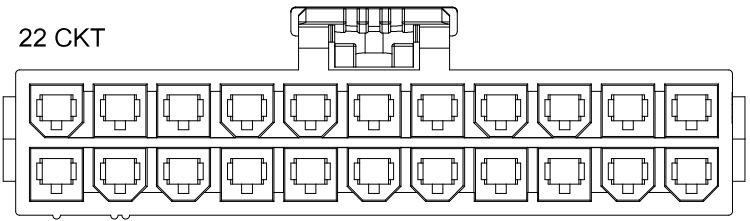
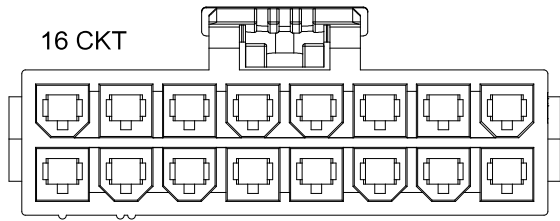
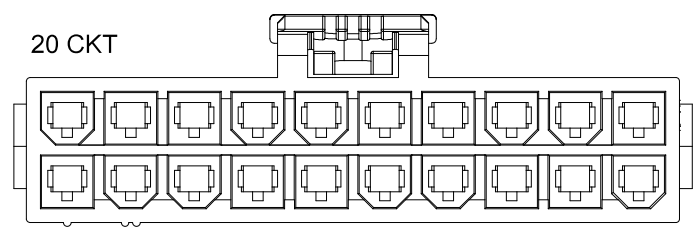
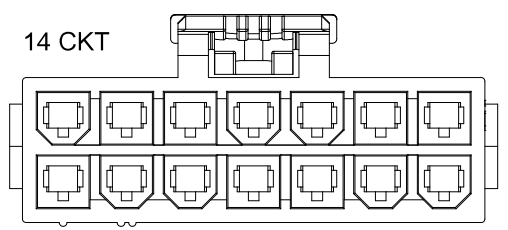
THIS DRAWING CONTAINS INFORMATION THAT IS PROPRIETARY TO MOLEX ELECTRONIC TECHNOLOGIES, LLC AND SHOULD NOT BE USED WITHOUT WRITTEN PERMISSION

DIMENSION UNITS: mm		SCALE: 4:1	CURRENT REV DESC: TOL UPDT PER EGD		<b>molex</b>
GENERAL TOLERANCES (UNLESS SPECIFIED):		ANGULAR TOL: ± .5	EC NO: 628539		
4 PLACES: ±		DRWN: GJEEVANSURES	2019/11/27		HOUSING, DUAL ROW RECEPTACLE MINI-FIT TPA2
3 PLACES: ±		CHK'D: GJEEVANSURES	2020/03/26		
2 PLACES: ± 0.13		APPR: NCSR	2020/03/27		PRODUCT CUSTOMER DRAWING
1 PLACE: ± 0.2		INITIAL REVISION:		DOCUMENT NUMBER	
0 PLACES: ±		DRWN: RFC_PLMMW	2015/08/13		SD-172708-0000
DRAFT WHERE APPLICABLE MUST REMAIN WITHIN DIMENSIONS		THIRD ANGLE PROJECTION	DRAWING: C-SIZE	SERIES: 172708	CUSTOMER: GENERAL MARKET
					DOC TYPE: PSD
					DOC PART: 000
					REVISION: H6
					SHEET NUMBER: 3 OF 4

PART NUMBER	CKTS	DIM C	DIM D	MATERIAL
1727080014	14	30.60	34.40	A
1727080114				B
1727080016	16	34.80	38.60	A
1727080116				B
1727080018	18	39.00	42.80	A
1727080118				B
1727080020	20	43.20	47.00	A
1727080120				B
1727080022	22	47.40	51.20	A
1727080122				B
1727080024	24	51.60	55.40	A
1727080124				B

# POLARIZATION DETAIL

SHOWN WITHOUT TPA OR TERMINAL FOR CLARITY



THIS DRAWING CONTAINS INFORMATION THAT IS PROPRIETARY TO MOLEX ELECTRONIC TECHNOLOGIES, LLC AND SHOULD NOT BE USED WITHOUT WRITTEN PERMISSION

DIMENSION UNITS: mm SCALE: 4:1		CURRENT REV DESC: TOL UPDT PER EGD									
GENERAL TOLERANCES (UNLESS SPECIFIED)		EC NO: 628539						HOUSING, DUAL ROW RECEPTACLE MINI-FIT TPA2			
ANGULAR TOL ± .°		DRWN: GJEEVANSURES 2019/11/27		PRODUCT CUSTOMER DRAWING							
4 PLACES ±		CHK'D: GJEEVANSURES 2020/03/26		DOCUMENT NUMBER		DOC TYPE		DOC PART		REVISION	
3 PLACES ±		APPR: NCSR 2020/03/27		SD-172708-0000		PSD		000		H6	
2 PLACES ± 0.13		INITIAL REVISION:		MATERIAL NUMBER		CUSTOMER		SHEET NUMBER			
1 PLACE ± 0.2		DRWN: RFC_PLMMW 2015/08/13		SEE TABLE		GENERAL MARKET		4 OF 4			
0 PLACES ±		APPR: JALEXANDER 2015/08/13		C-SIZE		172708					
DRAFT WHERE APPLICABLE MUST REMAIN WITHIN DIMENSIONS		THIRD ANGLE PROJECTION		DRAWING		SERIES					