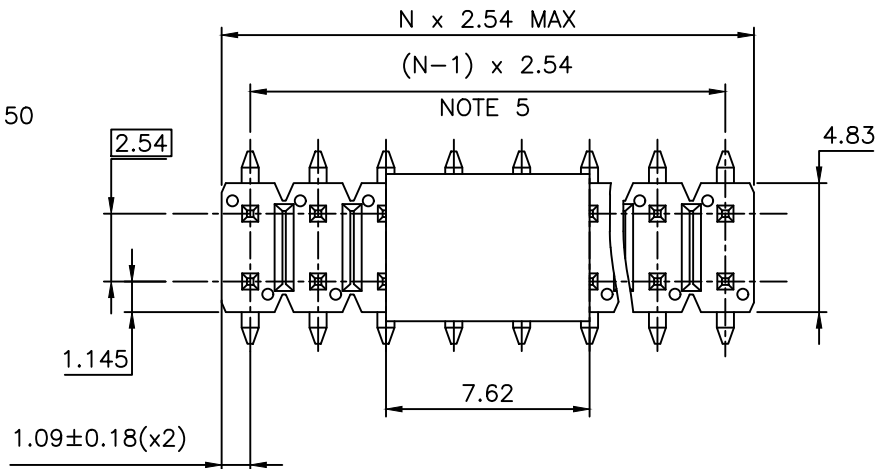


PRODUCT NUMBER

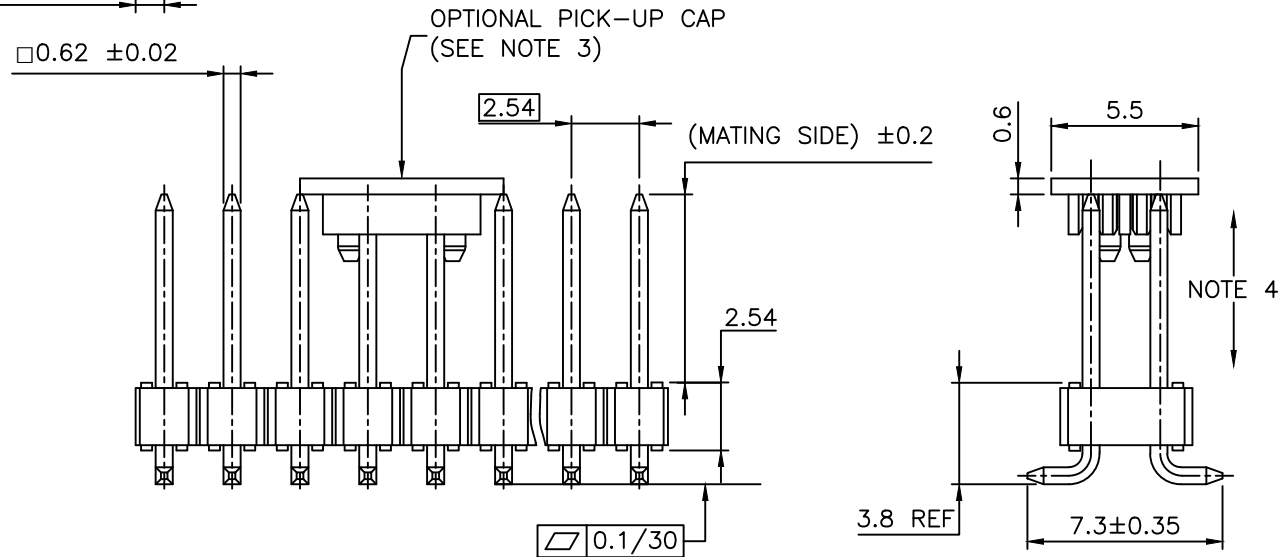
95278-YXX-XXLF

- RoHS COMPATIBLE, NOTE 6.
- TOTAL NB OF POSITIONS 04 TO 50
- PACKAGING OPTIONS, NOTE 3.
- PIN STYLE SEE SHEET 2
- PLATING SEE SHEET 2



NOTES:

1. HOUSING MAT'L : HIGH TEMPERATURE THERMOPLASTIC. UL94V-0 COLOR: BLACK
2. PIN MATERIAL : PHOSPHOR BRONZE
- 3 - PACKAGING OPTIONS:
  - = POLY BAGS
  - B = TUBE + CAP - ONLY AVAILABLE UPON REQUEST
  - A = TAPE & REEL WITH CAP, AS AVAILABLE  
CAUTION: CAP ON 95278-YXX-04LF IS ORIENTED 90° VERSUS OTHER NB OF POSITIONS
  - ER = TAPE & REEL WITH CAP, AND SPECIFIC ERICSSON LABEL ON REEL
  - TR = CUSTOM TAPE & REEL WITH CAP, SEE TAB40 ONLY FOR P/N 95278-102TR04LF AND P/N 95278-101TR10LF
  - T = TUBE WITHOUT PICK UP CAP ONLY AVAILABLE UPON REQUEST
  - K = TAPE & REEL WITHOUT PICK UP CAP, AS AVAILABLE
4. 9N MIN RETENTION IN EITHER DIRECTION
5. TO DETERMINE DIMENSIONS :  
N = NUMBER OF POSITIONS PER ROW



6. RoHS COMPATIBLE PRODUCT SPECIFICATIONS

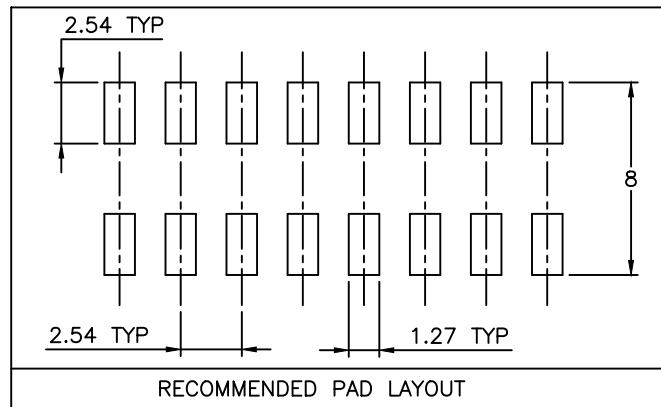
- a - PLATING:
  - "LF" MEANS THE PRODUCT IS LEAD-FREE, 2µm MINIMUM MATTE TIN OVER 1.27µm MINIMUM NICKEL UNDERPLATE.
- b - MANUFACTURING PROCESS COMPATIBILITY
  - THE HOUSING WILL WITHSTAND EXPOSURE TO 260°C PEAK TEMPERATURE FOR 30 SECONDES IN A CONVECTION, INFRA-RED OR VAPOR PHASE REFLOW OVEN.
- c - LABELING:
  - MEETS PACKAGING SPECS AS PER GS-14-920
- d - LEGAL STATEMENT: SEE GS-47-0004

mat'l. code		surface		tolerance		projection		product family	
		ISO 1302		ISO 406 ISO 1101		mm		BERGSTIK	
ltr ecn no dr date		tolerances unless otherwise specified		angles		linear		title	
AE F-36577 DDE 20.03.31		x.x ±0.3						UNSHR.HEADER	
AF F-41211 DDE 21.06.15		x.xx ±0.13						DR SMT	
AG F-43471 DDE 22.01.03		x.xxx ±0.05				scale 5:1		dwg no	
AH F-47109 DDE 23.01.25		dr		D.LE		01.01.24		sheet 1 of 2	
		enrg		JM.C		01.01.24		size	
		chr		JM.C		01.01.24		95278	
		appd		JF.N		01.01.24		A3	
AD F-31155 DDE 18.09.05								type	
sheet		revision		AH		W		CUSTOMER	
index		sheet		1		2		Drawing	

PIN STYLE	MATING
01	5.9
02	8.0
03	9.9
04	11.4
05	9.2
06	10.4
07	5.3
09	17.00
10	8.10
11	8.50
12	3.05
13	14.35
14	4.00
15	6.60
16	3.30

PLATING

- 1 = 0.76µm GOLD/GXT ON CONTACT AREA, 2µm TIN MIN ON TAIL
  - 4 = 2µm TIN MIN FULL PLATED
  - 5 = 0.25µm GOLD/GXT ON CONTACT AREA, 2µm TIN MIN ON TAIL – ONLY AVAILABLE UPON REQUEST
  - 8 = 0.38µm GOLD/GXT ON CONTACT AREA, 2µm TIN MIN ON TAIL
- 1.27µm NICKEL MIN UNDERLAYER FOR ALL PLATING VERSIONS



mat'l. code				surface ISO 1302 <input checked="" type="checkbox"/> ISO 406 <input type="checkbox"/> ISO 1101 <input type="checkbox"/>		tolerance tolerances unless otherwise specified		projection 		product family BERGSTIK	
ltr	ecn no	dr	date	angles		linear		mm		title UNSHR.HEADER DR SMT	
W	F-47109	DDE	23.01.25					scale N/A		sheet 2 of - size	
R	B-18983	LMU	14.10.03							95278 A3	
S	B-20276	LMU	15.02.16	dr	D.LE	01.01.24				dwg no	
T	B-20561	AMA	15.03.26	enfr	JM.C	01.01.24				CUSTOMER	
U	F-22120	BVE	15.10.09	chr	JM.C	01.01.24					
V	F-41211	DDE	21.06.15	appd	JF.N	01.01.24					
sheet index	revision sheet										